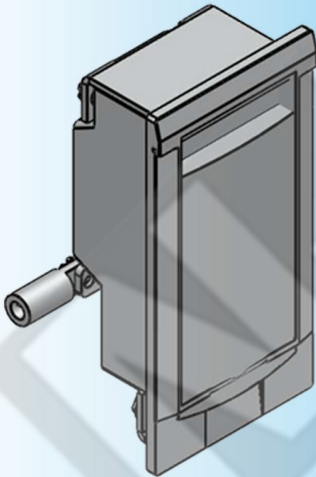




Photo View



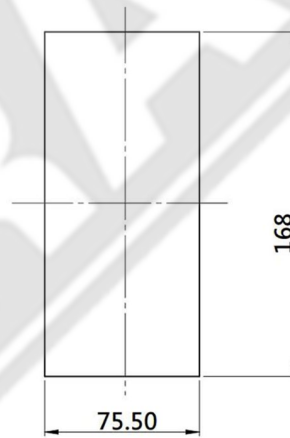
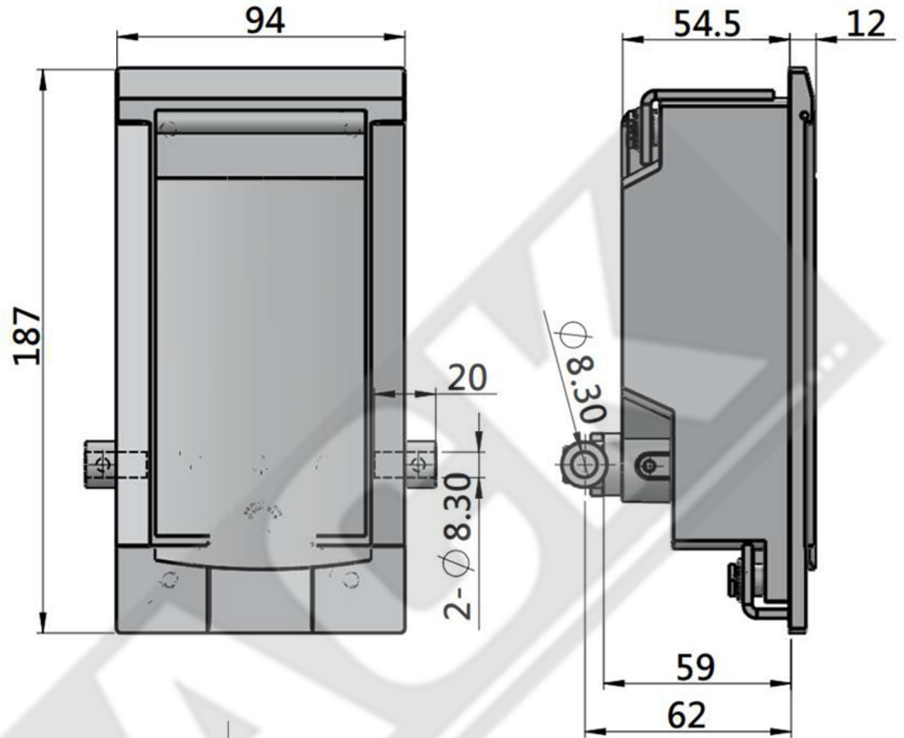
3D Rendered View



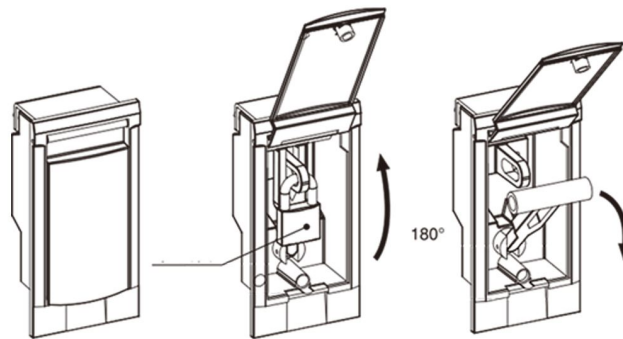
**MSH-04**

- Material: Zinc die-casting body
- Zinc plating cam, fixing parts
- Panel thickness: 1~4.5mm
- Finish: Gray or black color

For Product Step File or 3D Model Send a Request Mail To [info@nrack.com](mailto:info@nrack.com)



cut out



Product Number		Weight (g)	Lot
Black powder coated	MSH- 04.3	900	25
Gray powder coated	MSH- 04.9	900	25